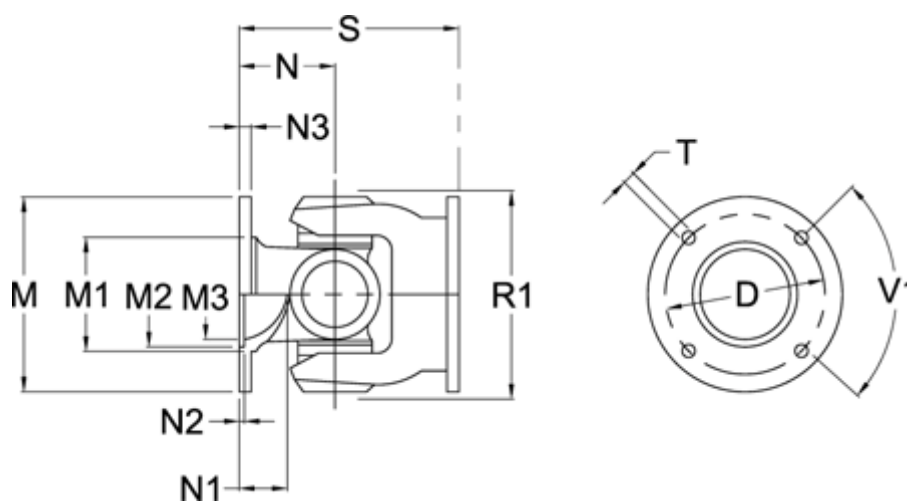


Article number: 07107401001

Description: Universal joint single 0.107.401.001
S=72 X= Bore with keyway

Measures



D	= 74,5 +-0,1	N2	= 2,5 +0,3
Flange diameter M	= 90	N3	= 6
M1	= 56	Number of Flangeholes	= 4
M2	= 47	R1	= 70
M3	= 36	S min	= 72
Max. Bending Angle degrees	= 18	T	= 8 B12
N	= 36	V1 degrees	= 90
N1	= 18		